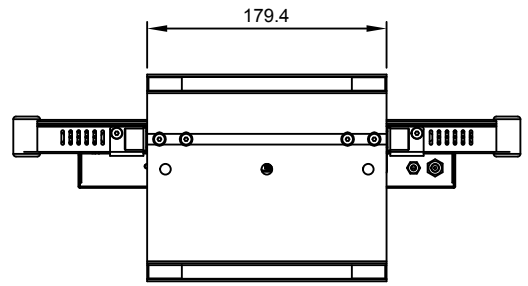
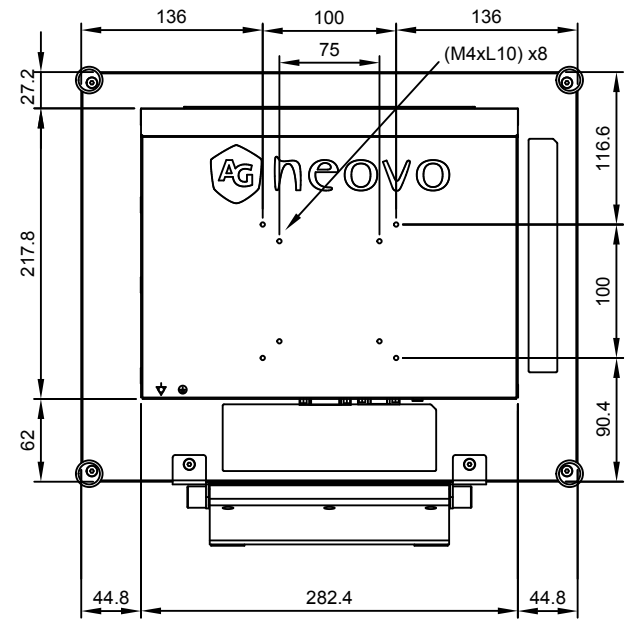
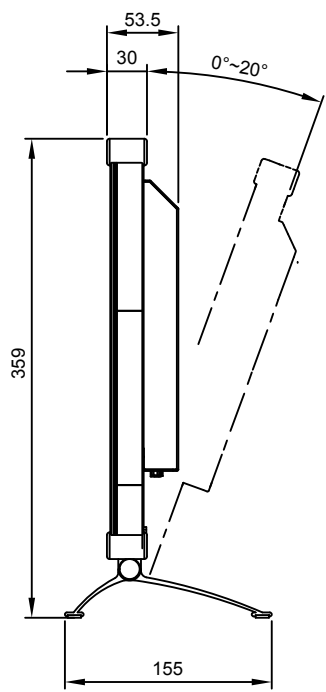
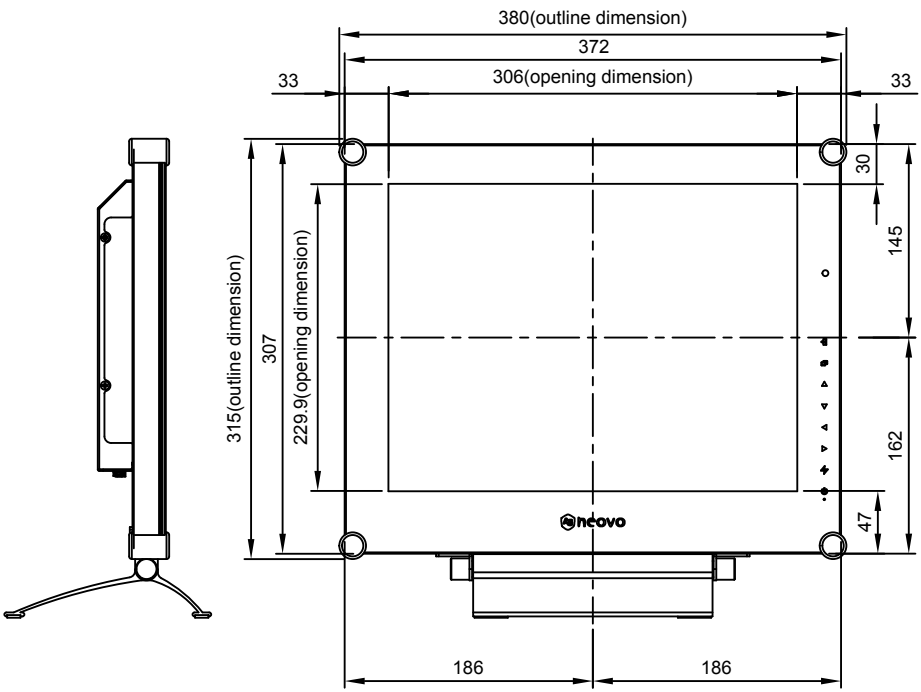
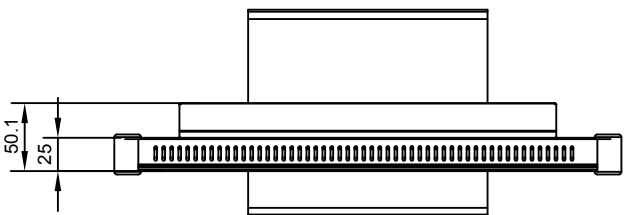


# X-15E

Net Weight: 4.6kg(with stand)  
4.2kg(w/o stand)



SPECIFICATIONS SUBJECT TO CHANGE WITHOUT NOTICE.

 www.agneovo.com	Model Name: <b>X-15E</b>
	P/C:X15E00
<small>THIS DRAWING ON THIS PRINT AND INFORMATION BELONG WITH AG Neovo ANY REPRODUCTION IN PART OR WHOLE WITHOUT WRITTEN PERMISSION OF AG Neovo IS PROHIBITED.</small>	<small>THIRD-ANGLE PROJECTION</small> SCALE   1:1   UNITS   mm   v. 1.03