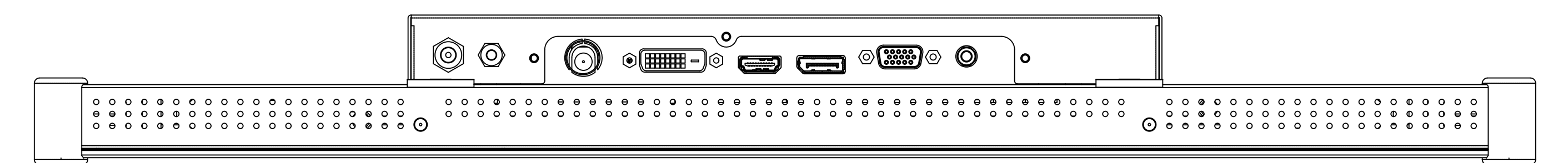
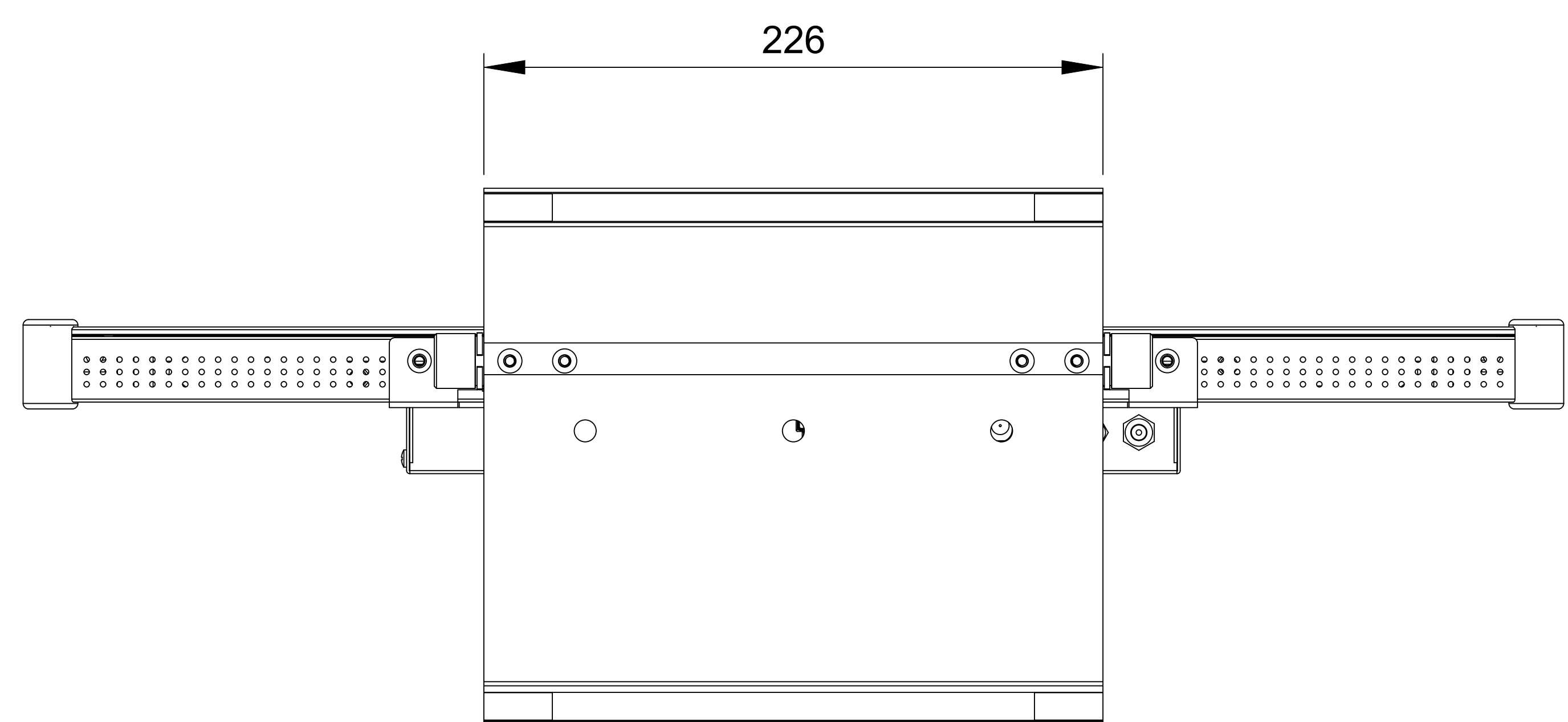
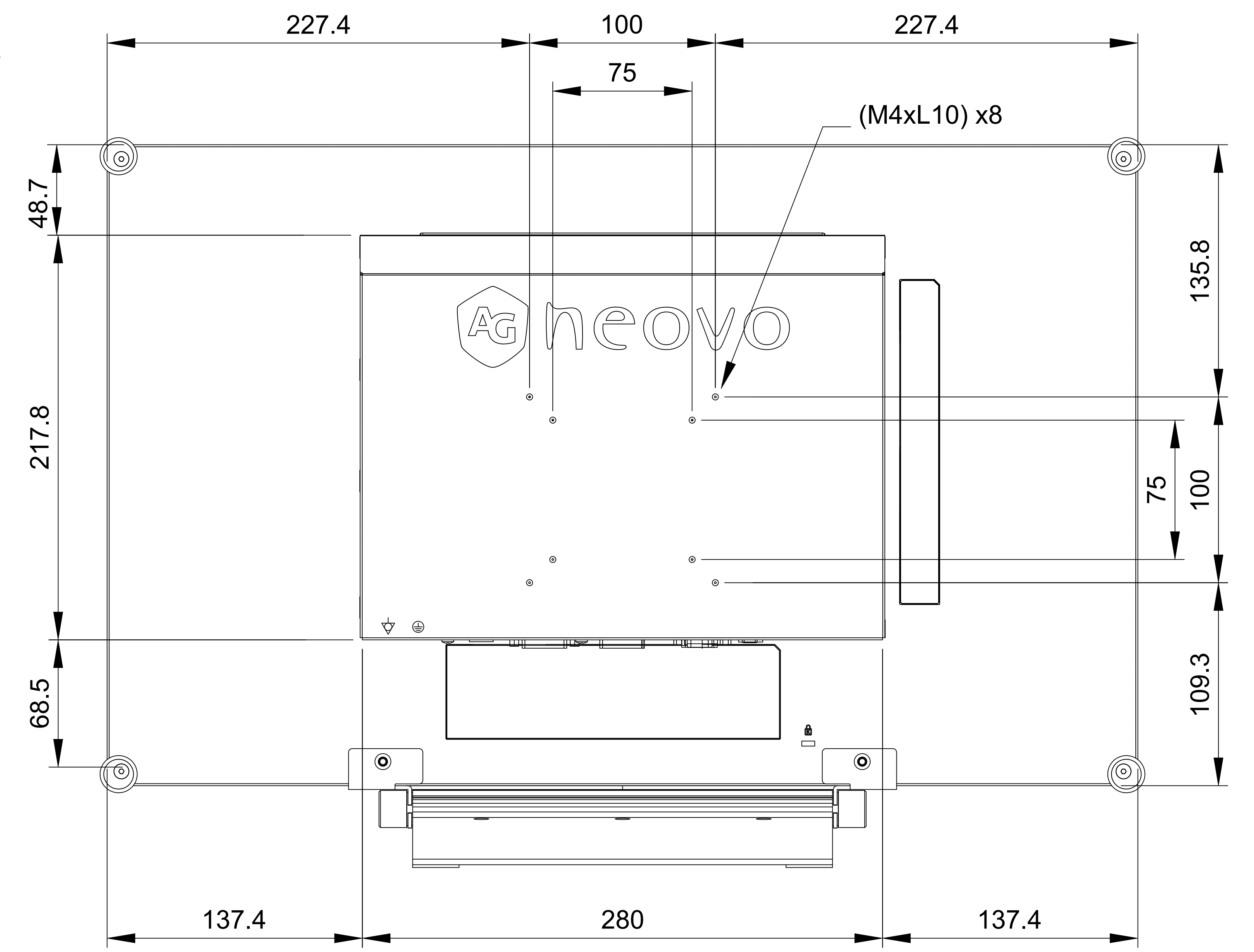
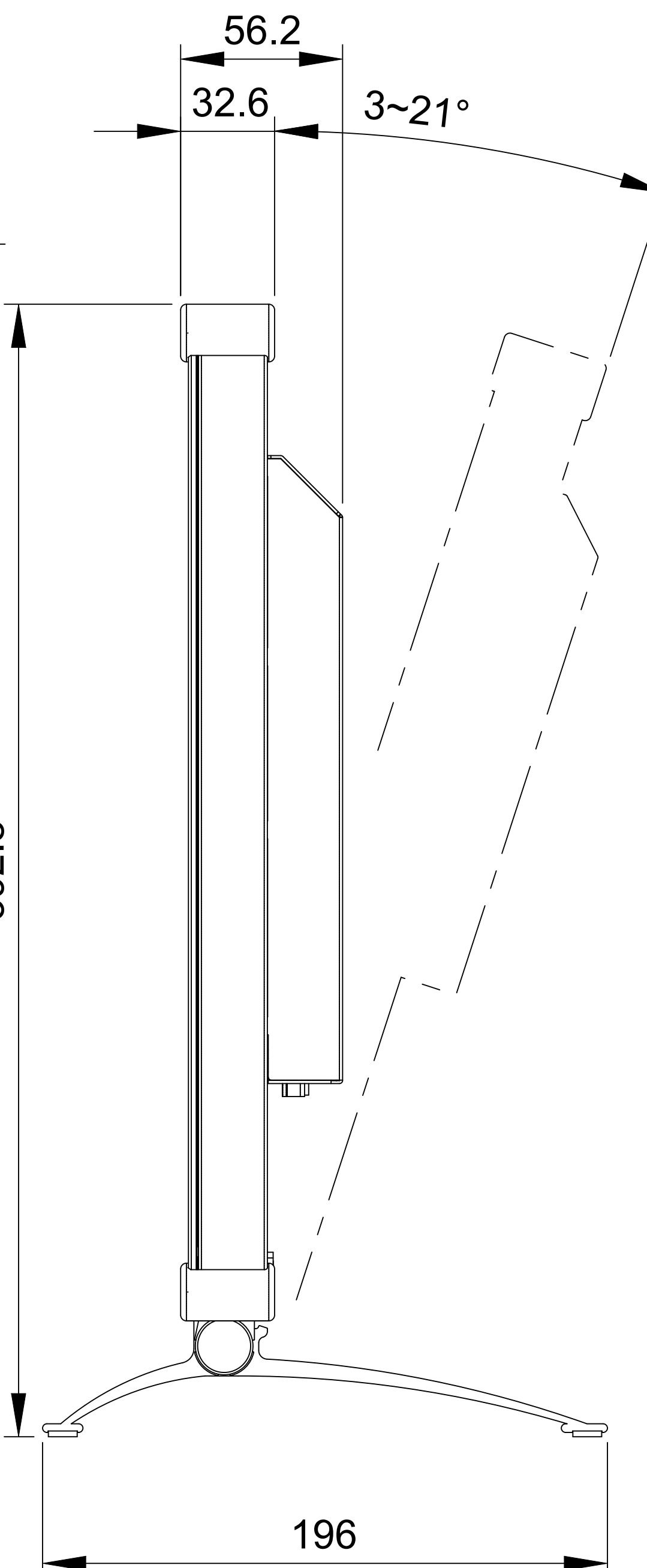
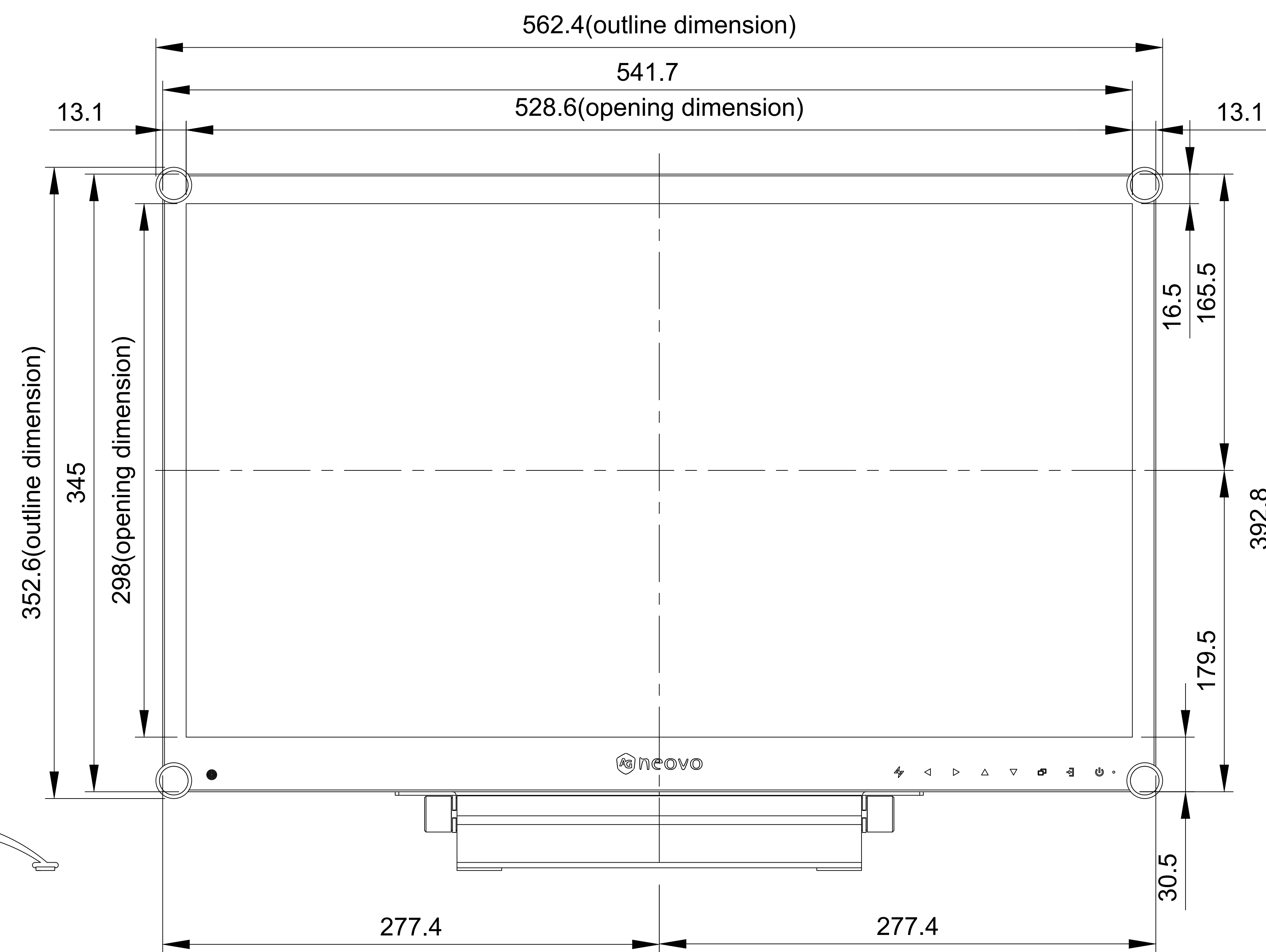


MX-24

Net weight : 7.8kg/17.2lb (with Stand)
7.0kg/15.4lb (w/o Stand)



SPECIFICATIONS SUBJECT TO CHANGE WITHOUT NOTICE.

 www.agneovo.com	Model Name:	
	MX-24	
<small>THIS DRAWING ON THIS PRINT AND INFORMATION BELONG WITH AG Neovo. ANY REPRODUCTION IN PART OR WHOLE WITHOUT WRITTEN PERMISSION OF AG Neovo IS PROHIBITED.</small>	 P/C:MX24B0	SCALE 1:1 UNITS mm V.1.05