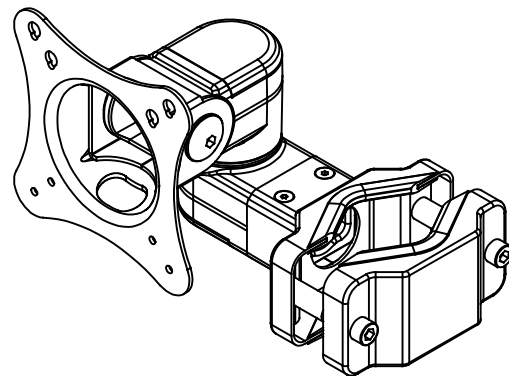


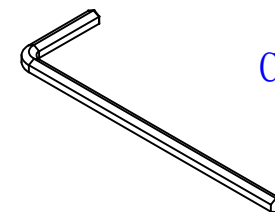
Part List:



A. 1pc

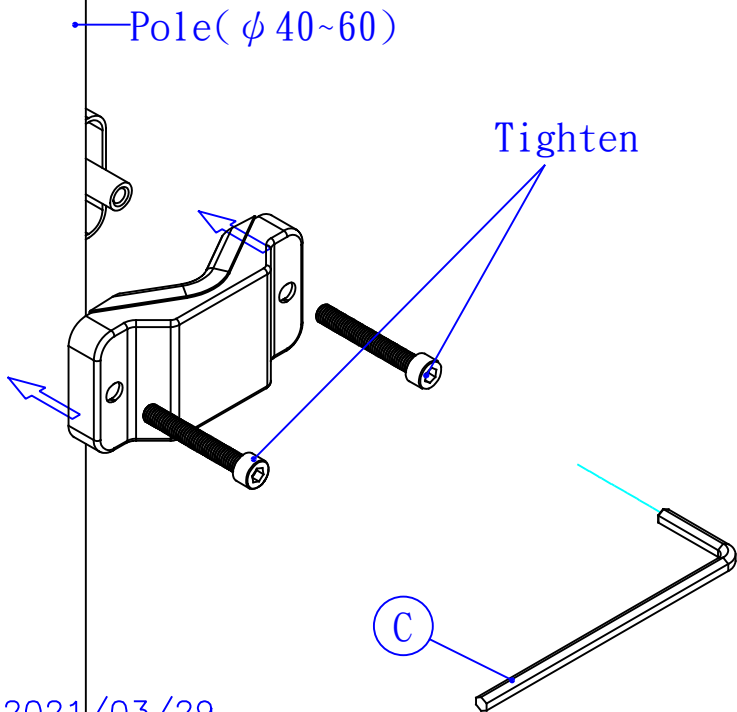
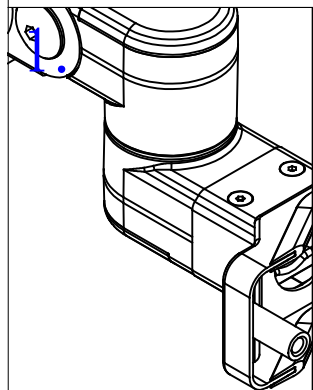


M4x10
B. 4pcs



C. 1pc

Max Load: 10Kgs



2.

